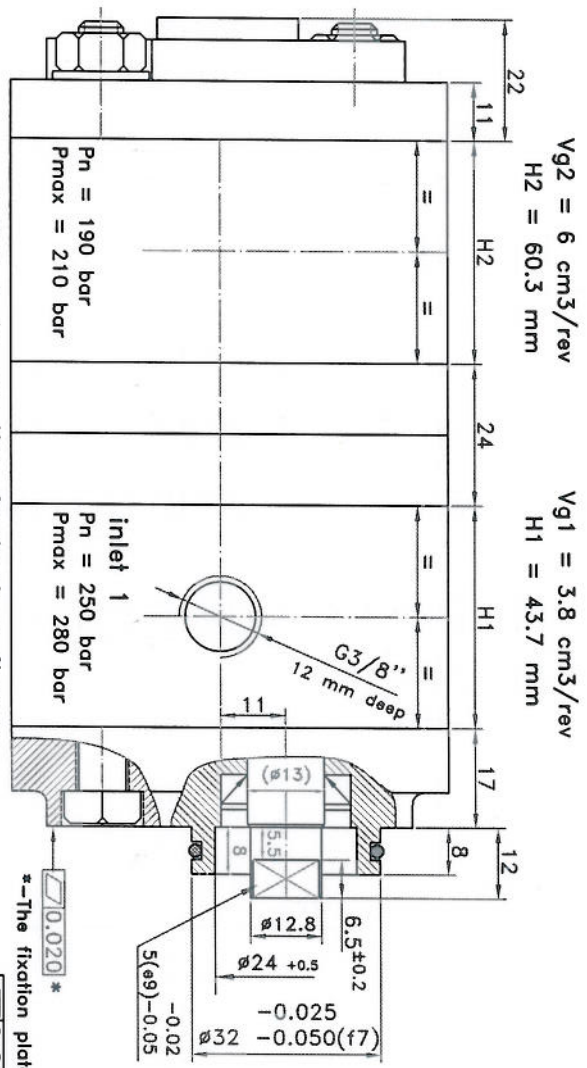
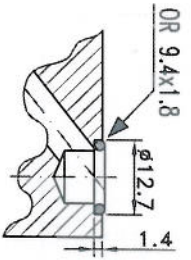
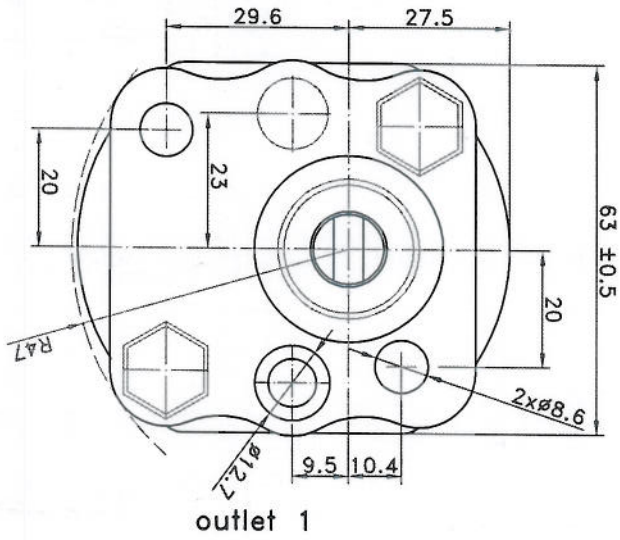
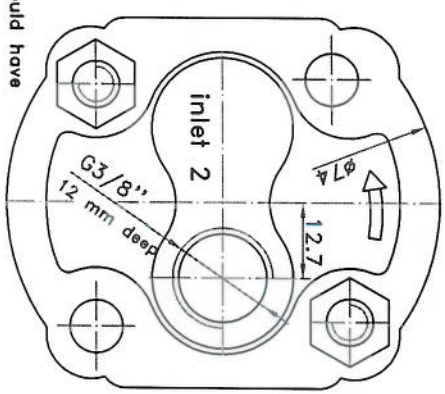


HESPER



outlet 1 is on the fastening flange
inlet 2 is on the end cover



*-The fixation plate should have
 $\sqrt[0.020]$
 *-Tightening torque 2.8...3.2 daNm

Codification: inlet 1, type 9 (G3/8") inlet 2, type 0 (closed on the body)

SS-HTCK11-(E3.8+6)-C-90-09

construction / displacements / clockwise rotation

outlet 1, type 0 (closed)
outlet 2, type 9 (G3/8")